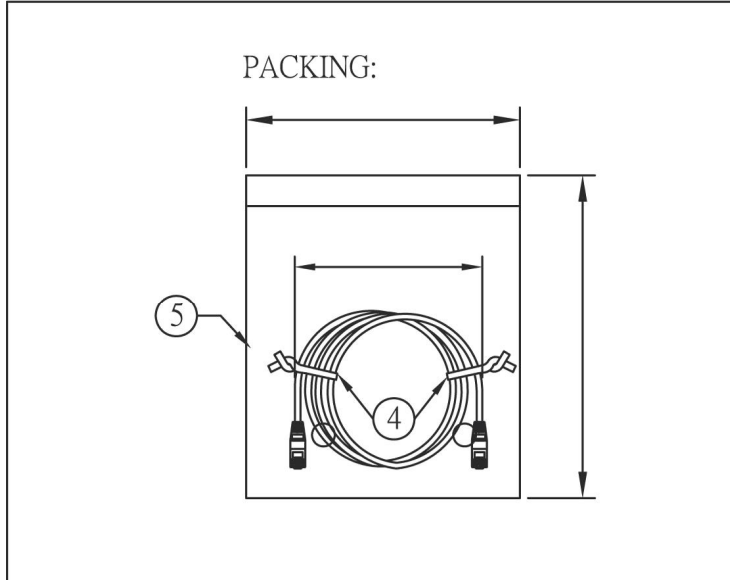



PIN ASSIGNMENT

P1		P2
1	— ORANGE/WHITE	1
2	— ORANGE	2
3	— GREEN/WHITE	3
4	— BLUE	4
5	— BLUE/WHITE	5
6	— GREEN	6
7	— BROWN/WHITE	7
8	— BROWN	8

NOTE: 1.MOLDING PLUG STRIPPED JACKET 13mm.

5	PE BAG	PE	1PCS
4	MINI TIE	BLACK L=120mm	2PCS
3	PVC	45P GRAY PVC	8.0g
2	CONNECTOR	8P8C PIN GOLD PLATING 30U'	2PCS
1	WIRE	UTP#24CAT.6 BEIGE OD:6.5mm	1PC
ITEM	PART NAME	MATERIAL/FINISH	Q'TY



UNLESS OTHERWISE SPECIFIED TOLERANCE		 ATTEND ATTEND TECHNOLOGY INC. www.attend.com.tw
ANG.	±5°	
0.	±0.3	
.0	±0.25	
.00	±0.20	
SCALE:	AS SHOWN	UNIT: mm
DRAWN	willis	2009/01/05
CHECKED	/ /	
APPROVED	/ /	
DRAWN NAME:		CAT 6 8P8C CABLE
PRODUCT NO.		LAN-8P8C-
REV.	DESCRIPTION	DATE
1	2	3
4	5	6
7	8	9
10	FILE NAME:	