

PRODUCT NO.	ITEM	PART NAME	Q'TY	MATERIAL	PLATING
119A-80A00-R02	1	BODY	1	LCP	
	2	CONTACT	52	PHOSPHOR BRONZE	GOLD 1u"
	3	HOLD DOWN	2	BRASS	TIN 100u"

Material  
 Plastic Body : LCP, Color Black.  
 Contact : Phosphor Bronze Alloy (C5191R-H)  
 Contacts Plating: Contact area: Gold Plated  
 Solder area: Tin

Hold Down : Brass(C2680R-H)  
 Hold Down Plating: Tin

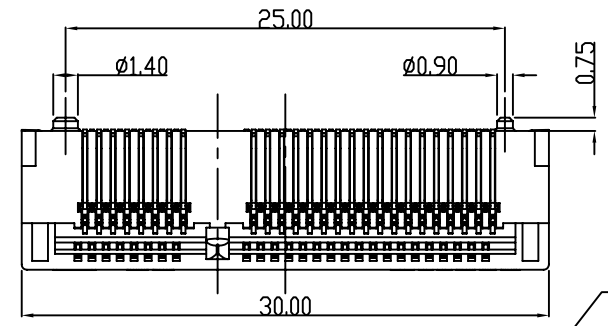
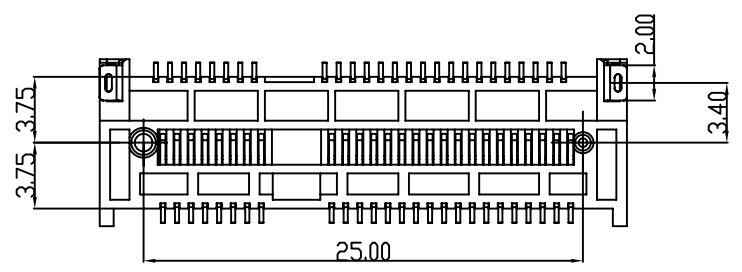
Electrical:  
 Rating Current: 0.5A(Max.)/(1PIN)  
 Rating Voltage: 50V AC  
 Contact Resistance: 30 mΩ (Max)  
 Insulation Resistance: 500 MΩ (Min.)

Mechanical:  
 Contact Normal Force: 50 gf per pin (Min.)  
 Durability: 100 mating and unmating cycles

Environmental:  
 Operating Temperature: -40°C to +90°C  
 Storage Temperature: -40°C to +90°C  
 Solder ability: 260±5°C

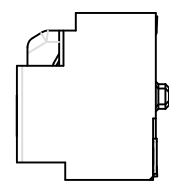
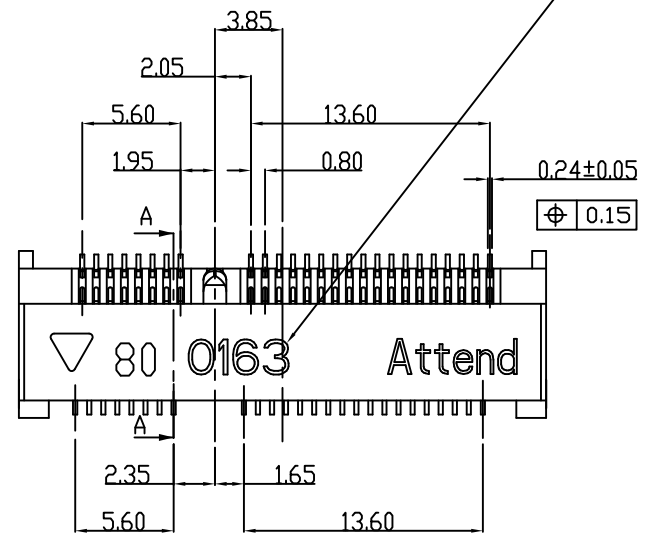
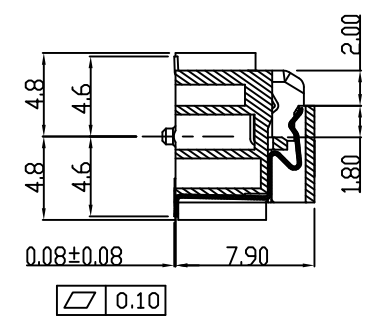
PRODUCT NUMBER:  
 119A-80 A 0 0-R02  
 1 2 3 4

- 1.Stand off  
80: 8.0mm
- 2.Contact plating  
A:gold flash
- 3.Color  
0:black
- 4.RoHS



DATE CODE: 0163 (YVWD)  
 Y: 0 YEAR(2010)  
 WW:16 WEEK(01~52)  
 D: 3 DAY(01~07)

SECTION A-A



UNLESS OTHERWISE SPECIFIED TOLERANCE		
ANGLES	ANG.	±5°
LINEAR	0.	±0.3
	0.0	±0.25
	0.00	±0.20
SCALE	AS SHOWN	UNIT: mm
DRAWN	Willis	2012/08/03
CHECKED	Angel	2012/08/03
APPROVED	Ken	2012/08/03



www.attend.com.tw

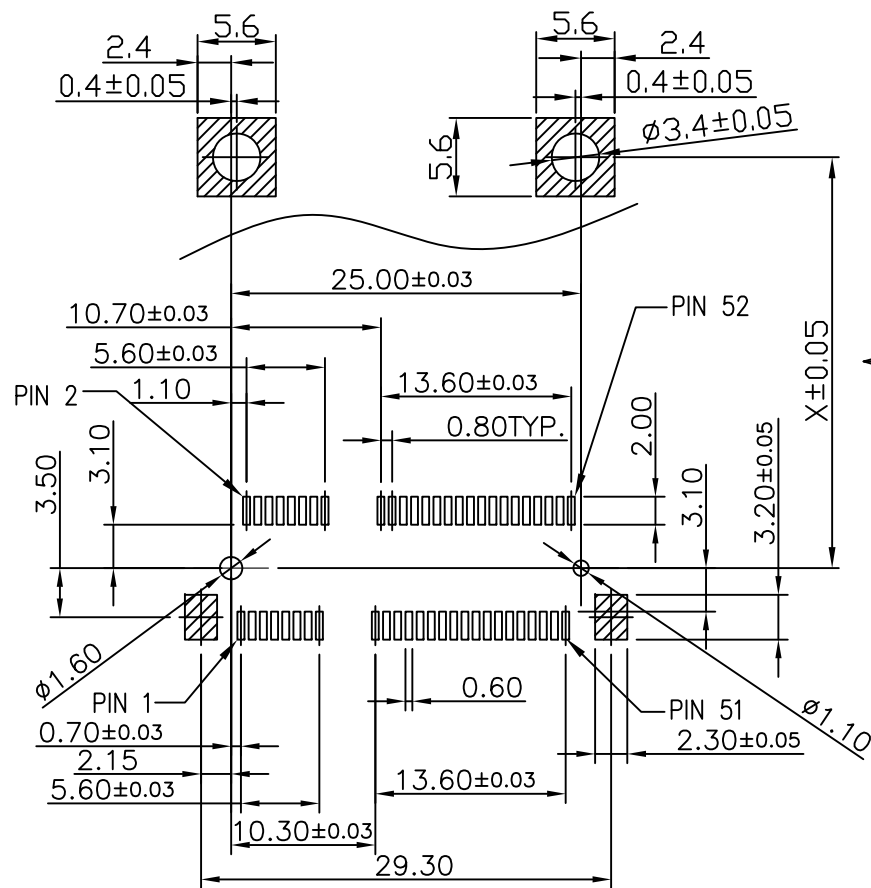
DRAWN NAME:  
Mini PCI Express Socket H:8.0mm

PRODUCT NO. 119A-80A00-R02  
 FILE NAME 119A-80A00-R02\_B\_4

REV.	DESCRIPTION	DATE	REV.	DESCRIPTION	DATE
1					
2					
3					
4					
5					
6					
7					
8					
9					
10					

- △3 Revise:
- △ Revise:
- △ Revise: Date Code 2010/04/30

SIZE A4 REV. 1.0



Note:  
 Standard Card: X=48.05mm  
 (Card Length 50.95mm)

Short Card: X=23.90mm  
 (Card Length 26.65mm)

Recommended P.C.Board Layout.

UNLESS OTHERWISE SPECIFIED TOLERANCE		
ANGLES	ANG.	±5°
LINEAR	0.	±0.3
	0.0	±0.25
	0.00	±0.20
SCALE	AS SHOWN	UNIT: mm
DRAWN	Willis	2012/08/03
CHECKED	Angel	2012/08/03
APPROVED	Ken	2012/08/03



www.attend.com.tw

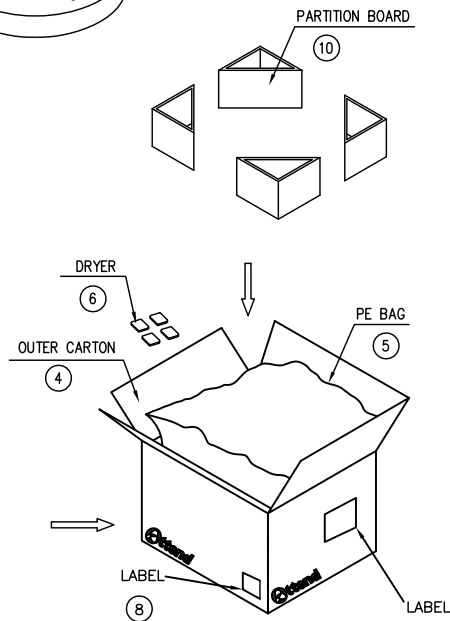
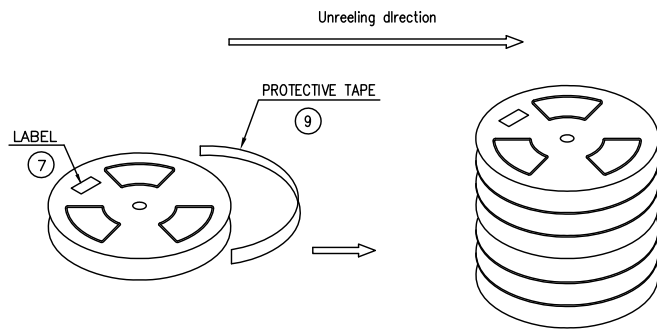
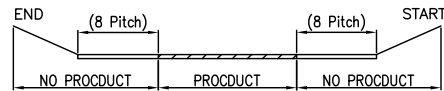
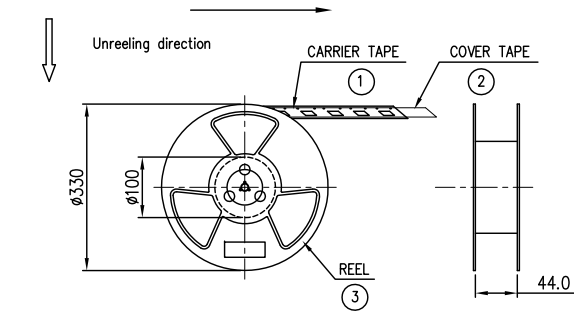
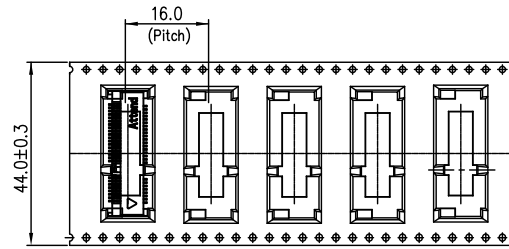
△	Revise:		
△	Revise:		
△	Revise:		

DRAWN NAME:	Mini PCI Express Socket Layout
PRODUCT NO.	

REV.	DESCRIPTION	DATE	REV.	DESCRIPTION	DATE	SIZE	REV.	FILE NAME
1						A4	1.0	







NOTES:  
1. PACKING STYLE:

119A-40A00-R02  
700 PCS/REEL  
4200 PCS/OUTER CARTON

119A-56A00-R02  
550 PCS/REEL  
3300 PCS/OUTER CARTON

119A-80A00-R02  
400 PCS/REEL  
2400 PCS/OUTER CARTON

① ②  
119A-92A00-R02  
300 PCS/REEL  
1800 PCS/OUTER CARTON

2. MATERIAL CARRIER TAPE: PS BLACK  
COVER TAPE: PET FILM  
REEL: PLASTIC

3. PEEL STRENGTH OF COVER TAPE: 20-80g (PEEL SPEED 300mm/MINUTE).

10	PARTITION BOARD	4	PCS		
9	PROTECTIVE TAPE	3	PCS		
8	LABEL	1	PCS		
7	LABEL	6	PCS		
6	DRYER	4	BAG		
5	PE BAG	1	PCS	L850*W750mm	
4	OUTER CARTON	1	PCS		
3	REEL	6	SET	φ330*100mm, W=44mm	
2	COVER TAPE	SEE NOTES	6	PCS	W=37.5mm
1	CARRIER TAPE			PCS/R/R/BOX	W=44mm, T=0.35mm
NO	PACKING NAME		PACKING QTY	UNIT	NOTE

UNLESS OTHERWISE SPECIFIED TOLERANCE

ANGLES	ANG.	±5°
LINEAR	0.	±0.3
	0.0	±0.25
	0.00	±0.20

SCALE AS SHOWN UNIT: mm

DRAWN Willis 2012/08/03

CHECKED Angel 2012/08/03

APPROVED Ken 2012/08/03

SIZE A4 REV. 1.0



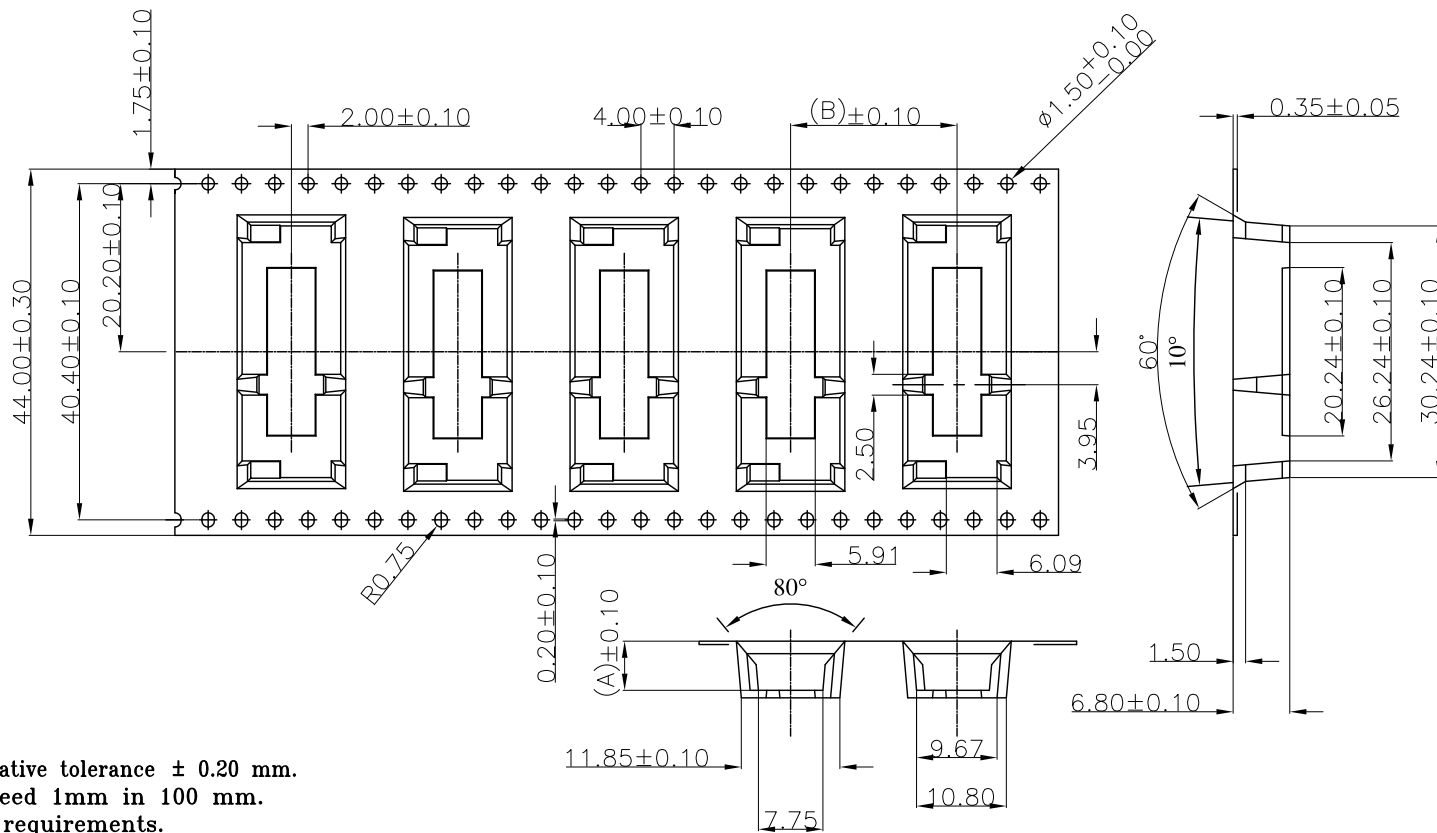
www.attend.com.tw

DRAWN NAME: Mini PCI Express Socket

PRODUCT NO. 119A-XXA00-R02

FILE NAME 119A-XXA00-R02\_D\_4

REV.	DESCRIPTION	DATE	REV.	DESCRIPTION	DATE
③	Revise:				
②	Revise: NOTE 9.2H 300PCS/REEL	2010/04/30			
①	Revise: NOTE 9.2H 350PCS/REEL	2010/01/21			



**NOTES:**

1. 10 sprocket hole pitch cumulative tolerance  $\pm 0.20$  mm.
2. Carrier camber not to exceed 1mm in 100 mm.
3. All scope meet EIA-481-C requirements.
4. Material: Black Anti-static Polystyrene.
5. Thickness:  $0.35 \pm 0.05$  mm.

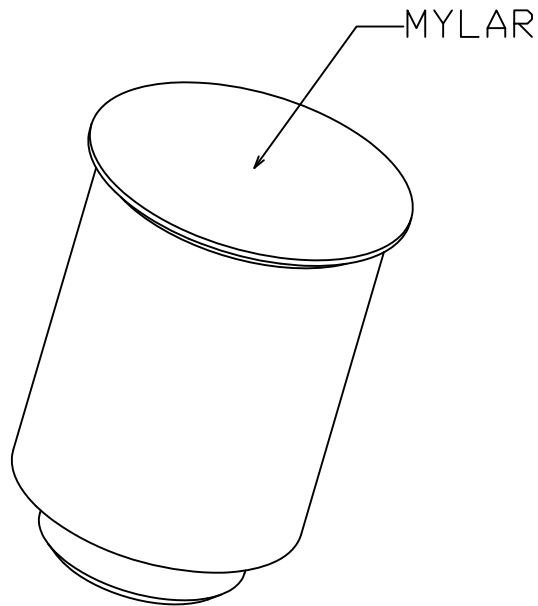
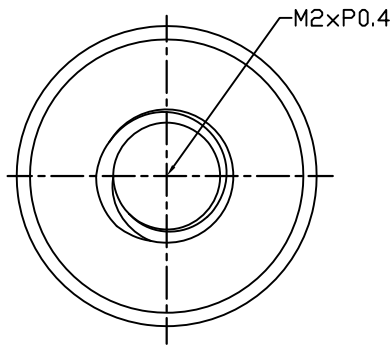
DIM.	119A-40A00-R02	119A-52A00-R02	119A-56A00-R02	119A-80A00-R02	119A-92A00-R02
A	4.30	5.50	5.90	8.30	9.50
B	16.00	16.00	16.00	16.00	20.00

UNLESS OTHERWISE SPECIFIED TOLERANCE		
ANGLES	ANG.	$\pm 5^\circ$
LINEAR	0.	$\pm 0.3$
	0.0	$\pm 0.25$
	0.00	$\pm 0.20$
SCALE	AS SHOWN	UNIT: mm
DRAWN	Willis	2012/08/03
CHECKED	Angel	2012/08/03
APPROVED	Ken	2012/08/03

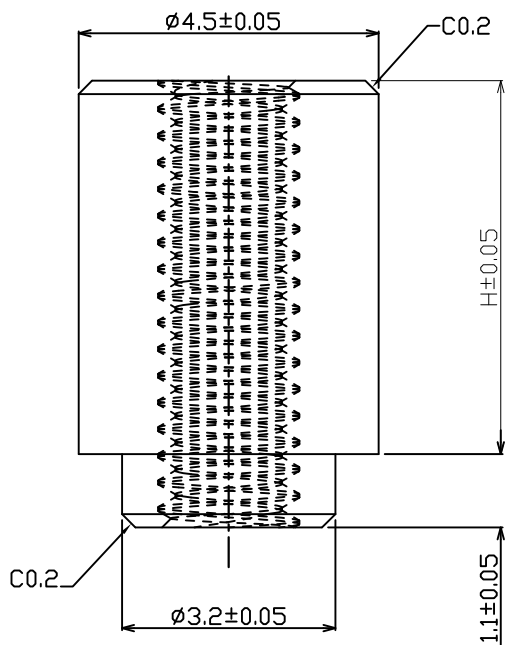


www.attend.com.tw  
 DRAWN NAME: Mini PCI Express Socket  
 PRODUCT NO. 119A-XXA00-R02  
 FILE NAME 119A-XXA00-R02\_D\_4

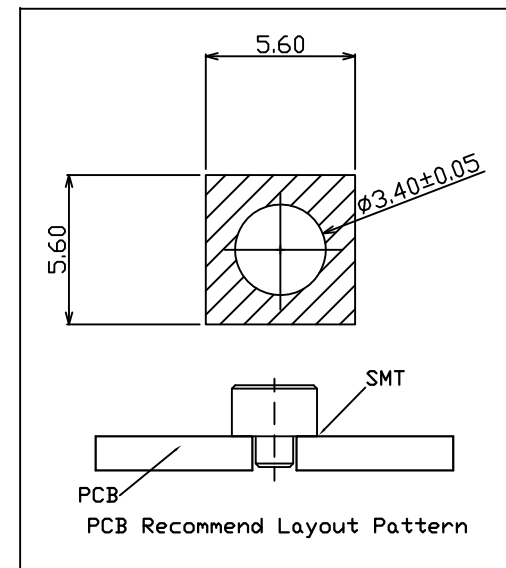
REV.	DESCRIPTION	DATE	REV.	DESCRIPTION	DATE
3	Revise:				
2	Revise: NOTE 9.2H 300PCS/REEL	2010/04/30			
1	Revise: NOTE 9.2H 350PCS/REEL	2010/01/21			



NOTE:  
 1.MATERIAL: Copper Alloy  
 2.Plating: Sn.




P/N	"H" $\pm 0.1$	Mini PCI E P/N
119A-NUT-40-R02	1.6	119A-40A00-R02
119A-NUT-52-R02	2.8	119A-52A00-R02
119A-NUT-56-R02	3.2	119A-56A00-R02
119A-NUT-80-R02	5.6	119A-80A00-R02
119A-NUT-92-R02	6.8	119A-92A00-R02



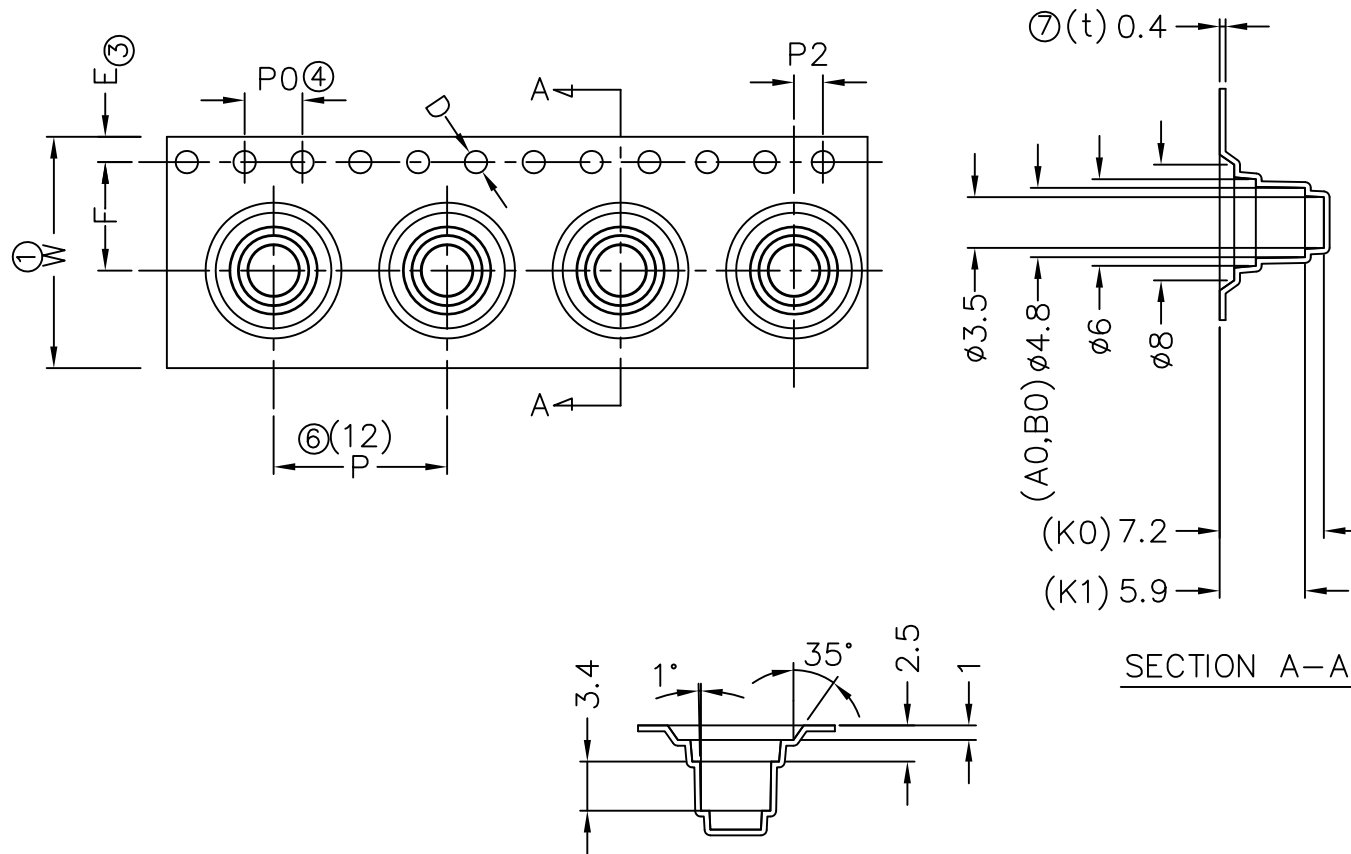
REV.	DESCRIPTION	DATE	REV.	DESCRIPTION	DATE
1			4		
2			5		
3			6		

UNLESS OTHERWISE SPECIFIED TOLERANCE		
ANGLES	ANG.	$\pm 5^\circ$
LINEAR	0.	$\pm 0.3$
	0.0	$\pm 0.25$
	0.00	$\pm 0.20$
SCALE	AS SHOWN	UNIT: mm
DRAWN	Willis	2013/01/25
CHECKED	Angel	2013/01/25
APPROVED	Ken	2013/01/25
SIZE	A4	REV. 1.0

  
[www.attend.com.tw](http://www.attend.com.tw)  
 DRAWN NAME: Mini PCI Express Stand Off  
 PRODUCT NO. 119A-NUT-XX-R02  
 FILE NAME 119A-NUT-XX-R02\_B\_2

A

A



1. Material: Black Anti-static Polystyrene ,T=0.4mm
2. Component loaded per 13" reel : 800 pcs. (Core 4")

ITEM	W	A <sub>0</sub>	B <sub>0</sub>	K <sub>0</sub>	K <sub>1</sub>	P	F	E	D	D <sub>1</sub>	P <sub>0</sub>	P <sub>2</sub>
DIM	16.0 <sup>+0.30</sup> <sub>-0.30</sub>	4.80 <sup>+0.20</sup> <sub>-0.10</sub>	4.80 <sup>+0.20</sup> <sub>-0.10</sub>	7.20 <sup>+0.20</sup> <sub>-0.10</sub>	5.90 <sup>+0.20</sup> <sub>-0.10</sub>	12.0 <sup>+0.10</sup> <sub>-0.10</sub>	7.50 <sup>+0.10</sup> <sub>-0.10</sub>	1.75 <sup>+0.10</sup> <sub>-0.10</sub>	1.50 <sup>+0.10</sup> <sub>-0.00</sub>	0.00 <sup>+0.25</sup> <sub>-0.00</sub>	4.00 <sup>+0.10</sup> <sub>-0.10</sub>	2.00 <sup>+0.10</sup> <sub>-0.10</sub>

UNLESS OTHERWISE SPECIFIED TOLERANCE

ANGLES	ANG.	±5°
LINEAR	0.	±0.3
	0.0	±0.25
	0.00	±0.20
SCALE	AS SHOWN	UNIT: mm
DRAWN	Willis	2012/12/10
CHECKED	Angel	2012/12/10
APPROVED	Ken	2012/12/10



www.attend.com.tw

DRAWN NAME:  
Mini PCI Express Stand Off

PRODUCT NO. 119A-NUT-80-R02

FILE NAME 119A-NUT-80-R02\_D\_2

Revise:  
Revise:  
Revise:

REV.	DESCRIPTION	DATE	REV.	DESCRIPTION	DATE	SIZE	REV.	FILE NAME
1			4			A4	1.0	119A-NUT-80-R02_D_2